

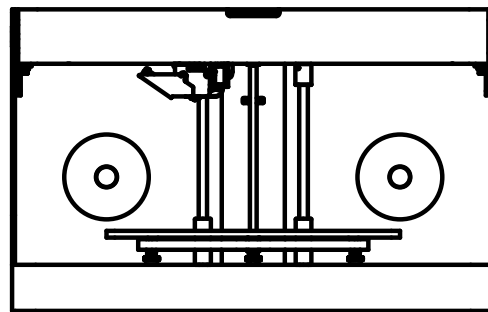
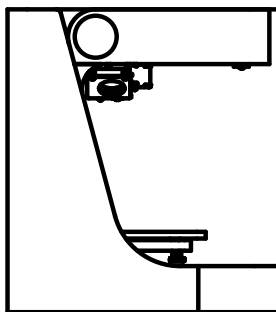


PRICE SHEET

DESKTOP SERIES

The engineering excellence of the Industrial Series in a form factor that fits on your desk. Industrial grade hardware, cloud managed software, and engineering grade materials combine to allow you to print light, strong replacements for machined aluminum tooling. Now, your parts are ready same-day for a fraction of the price.

		Onyx One	Onyx Pro	Mark Two
PRINTER KIT	6,505 cm ³ Build Volume	✓	✓	✓
	3x FFF Quick-Change Nozzle	✓	✓	✓
	3x CFF Quick-Change Nozzle		✓	✓
MATERIALS INCLUDED	Onyx Spool (800 cm ³)	✓	✓	✓
	Fiberglass Spool (50 cm ³)		✓	✓
	Carbon Fiber Spool (50 cm ³)			✓
	Kevlar Spool (50 cm ³)			✓
	HSHT Fiberglass Spool (50 cm ³)			✓
SOFTWARE	Markforged Software	✓	✓	✓
	Regular Software Updates	✓	✓	✓
ORDERING DETAILS	SKU	F-PR-4001	F-PR-4002	F-PR-2017

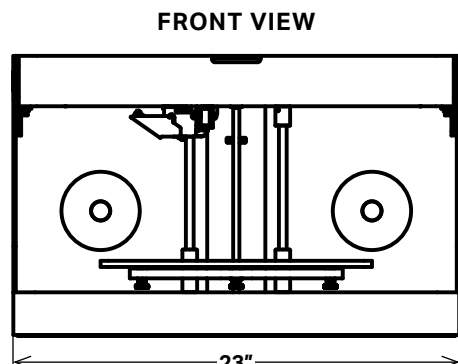
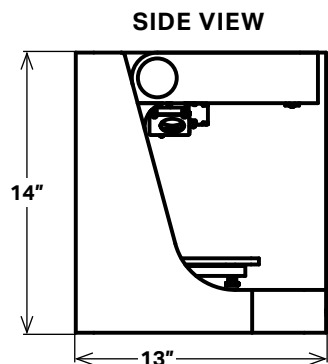


PRINTER SPECIFICATIONS

ONYX ONE

Built on the same platform as our award winning Industrial Series, the Onyx One is designed from the ground up for quality and reliability in a form factor that fits on your desktop. Onyx parts are twice as strong as conventional plastics, and if you need real strength, upgrade to continuous carbon fiber reinforcement for parts that are stronger than aluminum.

PRINTER PROPERTIES	Process	Fused Filament Fabrication
	Build Volume	320 x 132 x 154 mm (12.6 x 5.2 x 6 in)
	Weight	15 kg (34 lbs)
	Machine Footprint	584 x 330 x 355 mm (23 x 13 x 14 in)
	Print Bed	Flat to within 160 um - Kinematic coupling
	Onyx Pro Upgrade	Continuous Fiberglass
	Mark Two Upgrade	Continuous Carbon Fiber, HSHT, and Kevlar
	Power	100-240VAC, 150W (2A peak)
PART PROPERTIES	Layer Height	100um default, 200um maximum
	Material Properties	UTS: 36 MPa (1.2x ABS); Flex Stiffness: 2.9 GPa (1.4x ABS)
	Infill	Closed Cell Infill: Multiple geometries available
SOFTWARE	Supplied Software	Markforged Software - Cloud Storage, Local Storage, or Fully On-Premise (\$5,000 added fee)
	Security	Two Factor Auth, Org Admin Access, Single Sign On
MATERIALS	Plastics Available	Onyx
	Fibers Available	None



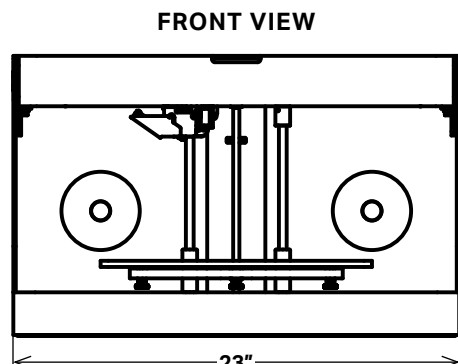
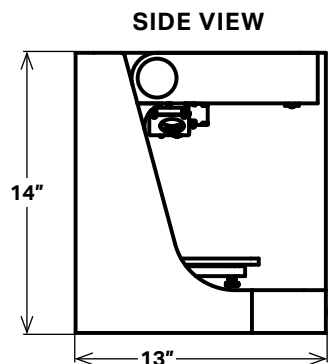
All specifications approximate and subject to change without notice.

PRINTER SPECIFICATIONS

ONYX PRO

The Onyx Pro features Markforged’s unique continuous fiber reinforcement at an affordable price. Built on a durable chassis with precision components, the Onyx Pro prints fiberglass reinforced thermoplastic parts that are 10x as strong as traditional printing plastics.

PRINTER PROPERTIES	Process	Continuous Fiber Reinforced Plastics
	Build Volume	320 x 132 x 154 mm (12.6 x 5.2 x 6 in)
	Weight	16 kg (35 lbs)
	Machine Footprint	584 x 330 x 355 mm (23 x 13 x 14 in)
	Print Bed	Flat to within 160 um - Kinematic coupling
	Power	100-240VAC, 150W (2A peak)
	Mark Two Upgrade	Carbon Fiber, HSHT, and Kevlar
PART PROPERTIES	Layer Height	100um default, 200um maximum
	Ultimate Tensile Strength	590 MPa (19.0x ABS, 16.4x Onyx)
	Max Flexural Stiffness	22 GPa (10.7x ABS, 7.6x Onyx)
	Infill	Closed Cell Infill: Multiple geometries available
SOFTWARE	Supplied Software	Markforged Software - Cloud Storage, Local Storage, or Fully On-Premise (\$5,000 added fee)
	Security	Two Factor Auth, Org Admin Access, Single Sign On
MATERIALS	Plastics Available	Onyx
	Fibers Available	Fiberglass

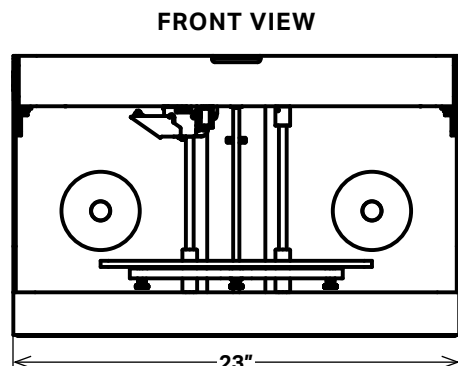
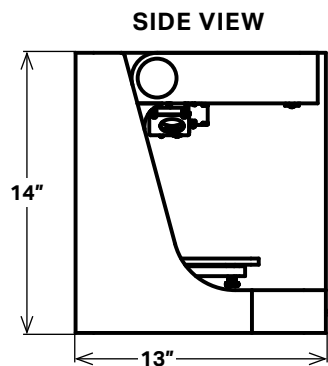


All specifications approximate and subject to change without notice.

PRINTER SPECIFICATIONS
MARK TWO

Replace machined aluminum tooling - jigs, jaws and fixtures - with stronger parts for a fraction of the price. The Mark Two combines Markforged's unique continuous carbon fiber reinforcement with workhorse reliability for versatile parts with 23x the strength of ABS, ready same-day for use straight off the printer.

PRINTER PROPERTIES	Process	Continuous Fiber Reinforced Plastics
	Build Volume	320 x 132 x 154 mm (12.6 x 5.2 x 6 in)
	Weight	16 kg (35 lbs)
	Machine Footprint	584 x 330 x 355 mm (23 x 13 x 14 in)
	Print Bed	Flat to within 160 um - Kinematic coupling
	Power	100-240VAC, 150W (2A peak)
PART PROPERTIES	Layer Height	100um default, 200um maximum
	Ultimate Tensile Strength	700 MPa (22.6x ABS, 19.4x Onyx)
	Max Flexural Stiffness	51 GPa (24.8x ABS, 17.6x Onyx)
	Infill	Closed Cell Infill: Multiple geometries available
SOFTWARE	Supplied Software	Markforged Software - Cloud Storage, Local Storage, or Fully On-Premise (\$5,000 added fee)
	Security	Two Factor Auth, Org Admin Access, Single Sign On
MATERIALS	Plastics Available	Onyx
	Fibers Available	Carbon Fiber, Fiberglass, Kevlar, High Strength/High Temp Fiberglass



All specifications approximate and subject to change without notice.